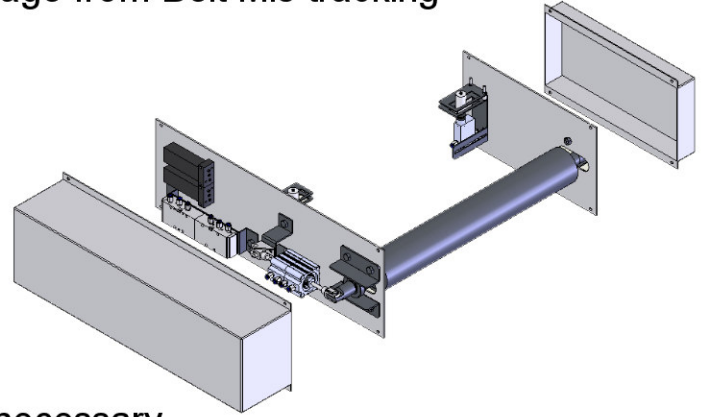




Arnott Conveyors Ltd
Custom Built Conveyors & Systems

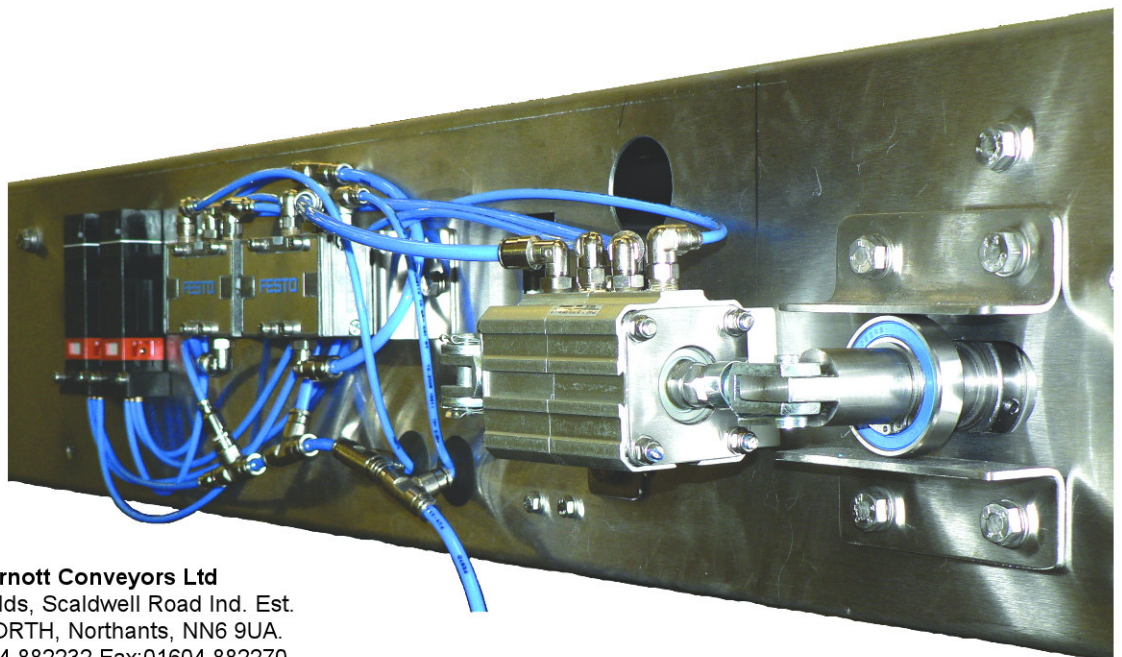
Accurate, Automatic Alignment of Belts for Use in Light Industry
Eliminate Downtime & Belt Damage from Belt Mis-tracking



- Simple
- Minimal moving parts
- Fully pneumatic
- Adjustments made only when necessary
- Easy installation (installation service available on request)
- No maintenance

As the belt moves off centre it triggers the whisker switches located on either side. This in turn opens or closes the pneumatic cylinders pushing the snub roller to either side. The movement of the snub roller re-centres the belt. With the belt back in the central position the edges no longer contact the whisker switches and the cylinders return to their original position.

The movement of the belt is dictated by the movement of the snub roller. It is not forced or pinched but steered back to the centre. The system is only triggered if the belt moves off centre. Wear is therefore reduced and life increased.



Automatic Belt Tracker

Arnott Conveyors Ltd
Ferro Fields, Scaldwell Road Ind. Est.
BRIXWORTH, Northants, NN6 9UA.
Tel:01604 882232 Fax:01604 882270
www.arnott-group.co.uk